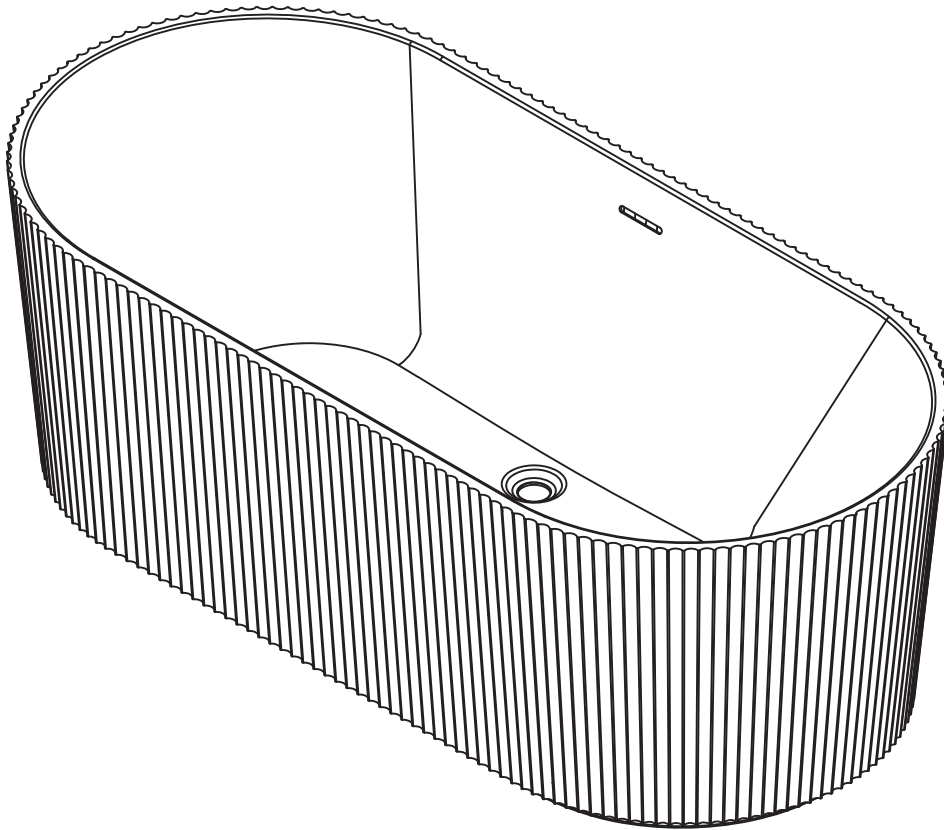


baridi

Baridi Double Ended Gloss White Bath, Fluted Design, Slim Rim, Discreet Overflow



Models: DH419, DH420

Thank you for purchasing a Dellonda product. Manufactured to a high standard, this product will, if used according to these instructions, and properly maintained, give you years of trouble free performance.

Important Information

Please read these instructions carefully. Note the safety requirements, warnings & cautions. Use the product correctly and with care for the purpose for which it is intended. Failure to do so may cause damage and/or personal injury and will invalidate the warranty. Keep these instructions safe for future use.



Refer to
instruction
manual



Wear
protective
gloves



Two
person lift

• Safety - Installation

- Handle the bath with care
- The bath is heavy and requires two people to carry and position it safely.
- **WARNING!** The underside finish of the bath is fibreglass. Protective gloves **MUST** be worn when handling and installing the bath.
- Maintain a clean and tidy work area.
- Prepare drainage pipework and fittings prior to installation of bath.
- **Note:** Refer to dimension drawings for the bath model being fitted for correct placement (See pages 4 and 5).
- Keep children and pets away from work/installation area.

• Safety - In Use

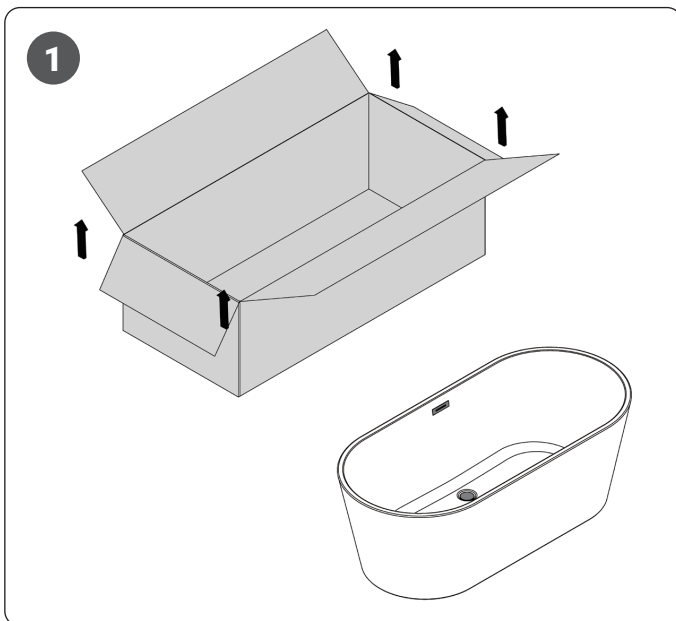
- When wet the surface of the bath will show an increase in the potential for slipping. This is particularly the case when soap, shampoo, bath oil, etc, are used.

• Product Care

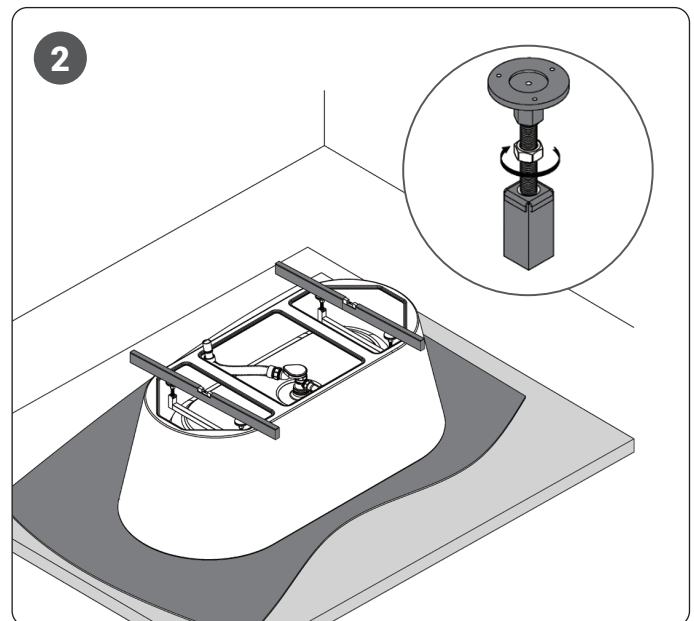
- To maintain the surface finish, the bath should be cleaned with a mild detergent with warm water and a soft, damp cloth.
- **DO NOT** use any abrasive cleaning products or abrasive cleaning tools.
- Dedicated acrylic cleaners from reputable brands may be used when cleaner manufacturer instructions for use are followed.

• Installation Guidelines

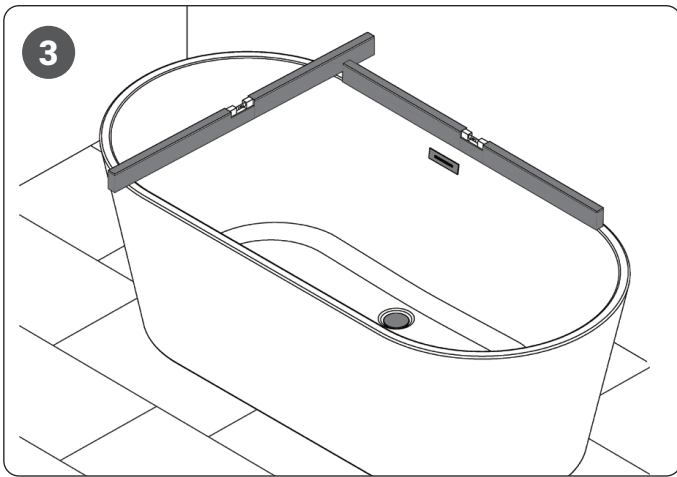
- **IMPORTANT: Installation by a qualified professional is strongly advised.** The following instructions are intended as a guide only as installation requirements and methods will vary.



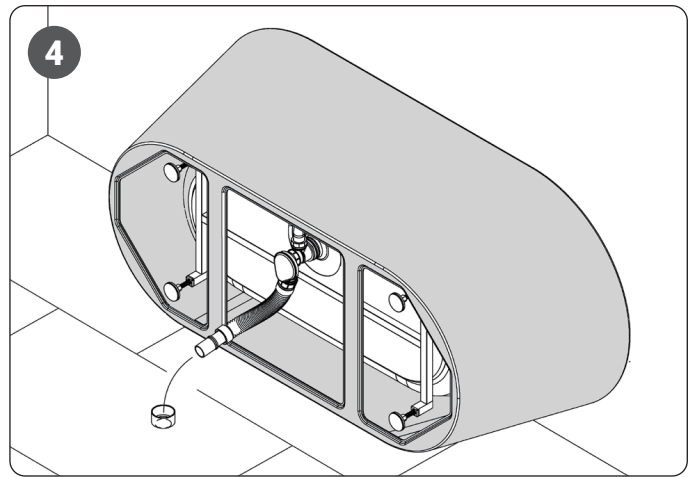
- Remove the bath from the carton with aid of another person.
- Remove any protective film and packaging and examine the bath carefully for any damage.
- **Note:** Please notify the retailer immediately if any faults or damage are found. Dellonda cannot be held responsible for damaged or faulty product after the bath has been partially or fully installed.



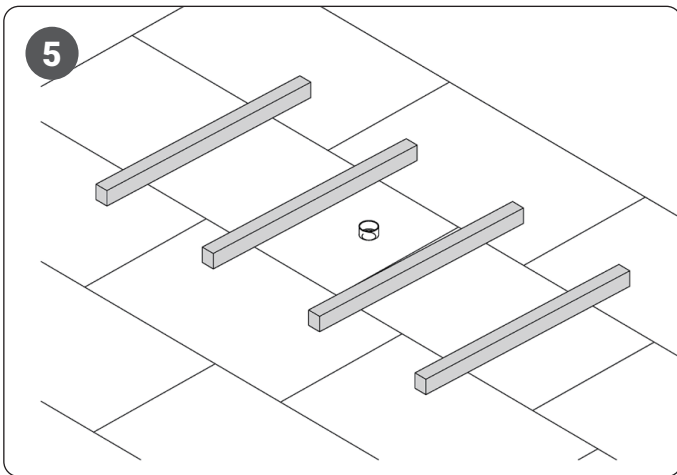
- Place cardboard or a suitable non-scratch, soft surface onto the floor and lay the bath upside down.
- The included clicker waste and overflow is pre-installed.
- The four adjustment feet are pre-installed on the frame.
- Use spirit levels in order to adjust all four feet to be level with each other. Tighten each locking nut with a spanner to secure.



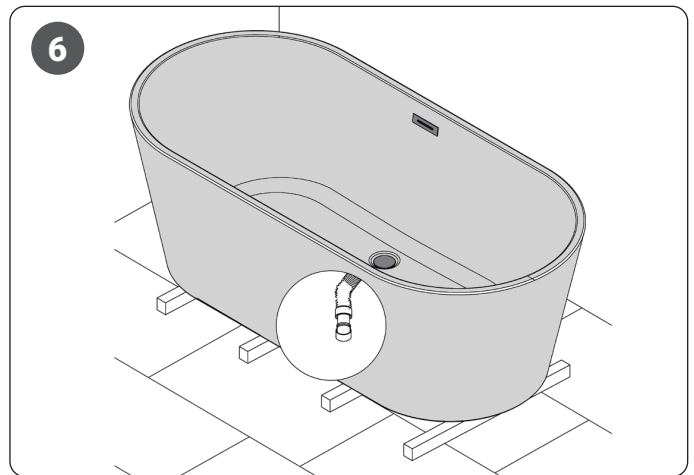
- Carefully turn the bath over and position it in the desired position.
- Use spirit levels to check the bath is level along the length and width.
- Adjust each foot if necessary until this is achieved and the bath is firm and secure.



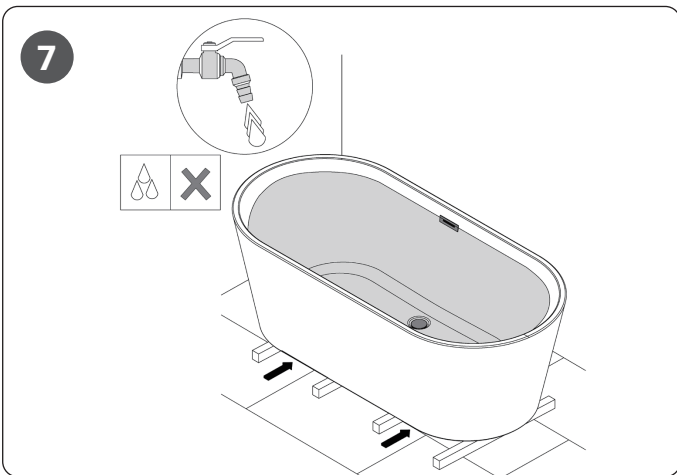
- Fit a suitable waste pipe onto the bath waste.
 - Note:** The fitted waste trap accepts a standard 40mm/1½" fitting.
 - Note:** The type of waste pipe will vary depending on the installation type and the location of the waste water outlet.



- Move the bath out of the way and lay suitable supports in order to temporarily support the bath.

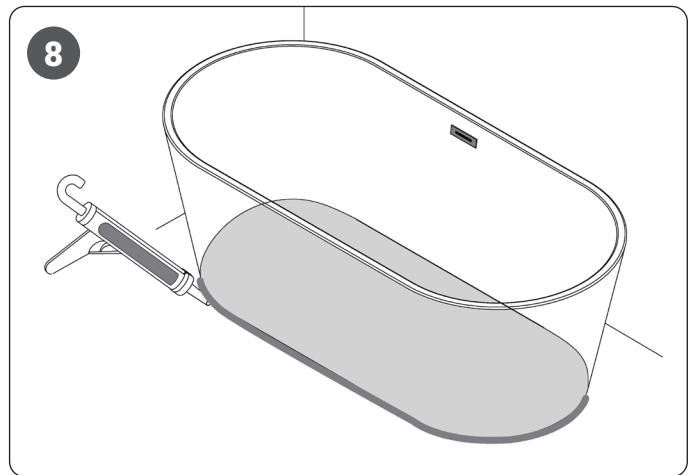


- Connect the waste pipe onto the waste water outlet and carefully lower the bath onto the temporary supports.



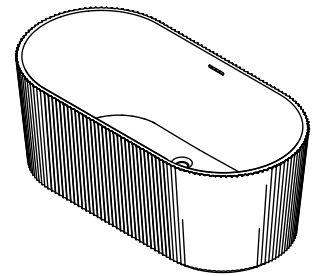
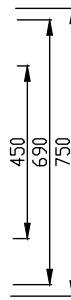
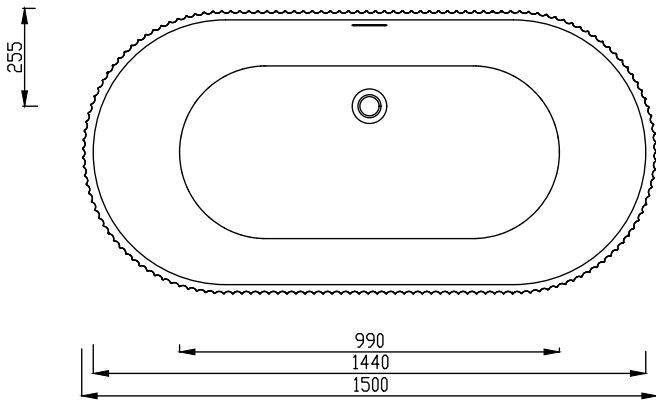
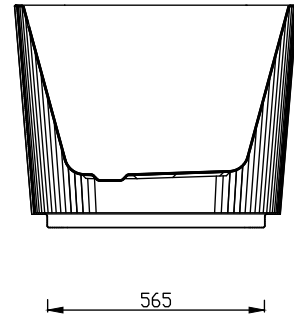
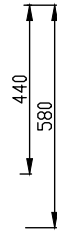
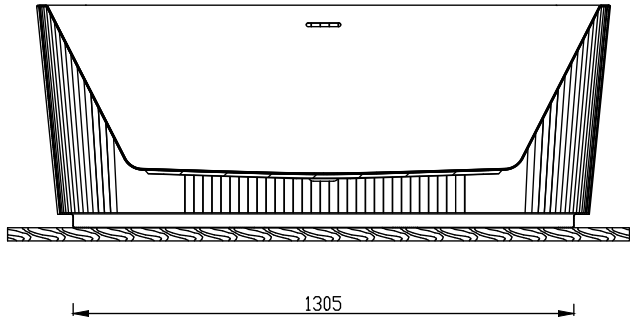
• **Check for leaks:**

1. Close the bath plug.
2. Initially, add a small amount of water to the bath.
3. Check for leaks. Any leaks should be immediately apparent. If necessary use a torch to visually inspect the connection between the waste pipe, the bath waste trap and the waste water outlet.
4. Once satisfied there are no leaks, continue to fill the bath beyond the level of the overflow. This will allow you to check the seal on the overflow and provide a water pressure test.
5. If any leaks are found, all water must be drained and the waste pipe connection and any others, if necessary, must be adjusted and/or resealed.
6. Repeat the procedure until satisfied all plumbing is watertight.



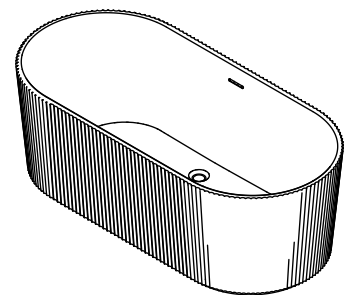
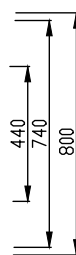
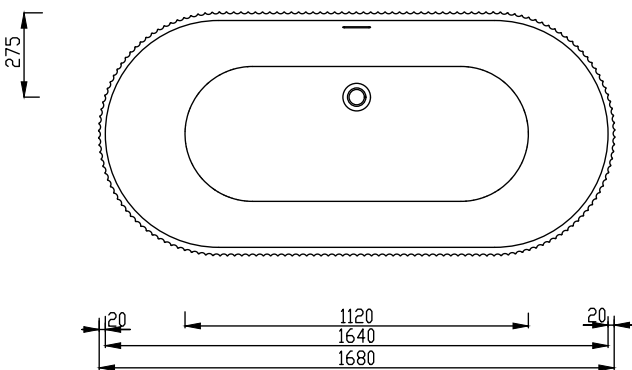
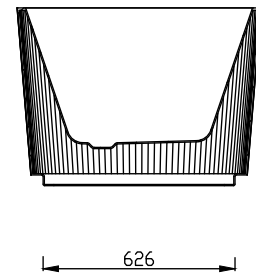
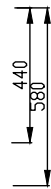
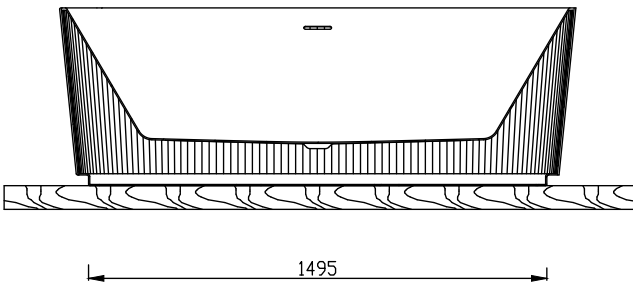
- With the aid of another person, carefully remove the temporary supports and lower the bath into its final position.
- There should be a gap of approximately 5mm between the floor and the bottom of the bath.
- Recheck the bath is level, firm and stable.
- Apply a suitable silicone sealant around the entire perimeter of the base of the bath.
- Leave for at least 24 hours in order to allow the sealant to fully cure before using the bath.
 - Note:** The time required will vary. Always check the instructions of the sealant being used.

DH419 - 1500mm



Nett Weight: 39kg

DH420 - 1680mm



Nett Weight: 43kg



Environment Protection, Waste Electrical and Waste Electronic Equipment Regulations (WEEE)



Recycle unwanted packaging materials. When this product is no longer required, or has reached the end of its useful life, please dispose of in an environmentally friendly way. Drain any fluids (if applicable) into approved containers, in accordance with local waste regulations.



It is our policy to continually improve products and we reserve the right to alter data, specifications and parts without prior notice. No liability is accepted for incorrect use of this product. Guarantee is 12 months from purchase date, proof of which is required for any claim.



Jack Sealey Ltd t/a Baridi, Kempson Way, Suffolk Business Park, Bury St Edmunds, Suffolk, IP32 7AR UK
Jack Sealey (EU) Ltd t/a Baridi, Farney Street, Carrickmacross, Co. Monaghan, A81 PK68 Ireland
Tel: 01284 757575 • **Email:** support@baridi.co.uk • **Web:** www.baridi.co.uk